

Mini Fingerpull

Vanity Collection



PRODUCT SPECIFICATIONS

- White ceramic basin
- 1 tap hole standard
- High gloss white polyurethane cabinet
- Sizes 450mm
- Available on legs, kickboard or wall hung
- Soft closing doors
- Adjustable square legs
- E0 HMR & E1 MDF Board
- FSC Certified
- Requires 32mm waste no overflow

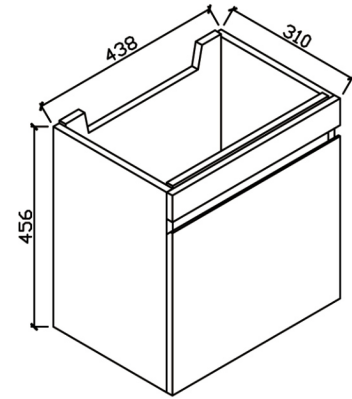
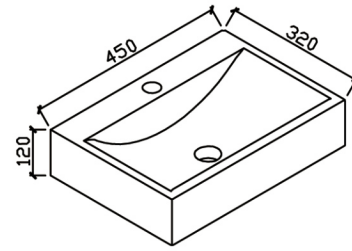
WARRANTY

Ceramic basin - 5 year replacement parts or complete product, 1 year labour

Cabinet - 2 year replacement parts or complete product, 1 year labour

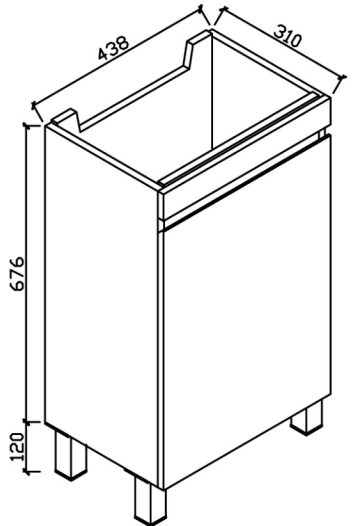
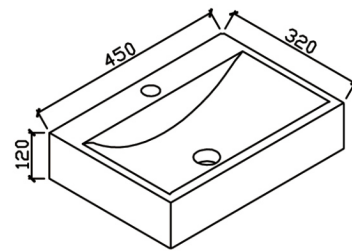
Available from



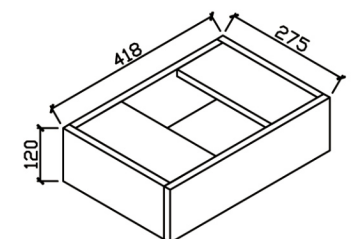


450mm(L)x320mm(W)x570mm(H)

Product Code	Description
MINI450FPWH	450mm Wall Hung



Product Code	Description
MINI450FPS	450mm on legs



Product Code	Description
MINI450FPK	450mm on kick board

450mm(L)x320mm(W)x910mm(H)