

Hamilton

Vanity Collection



PRODUCT SPECIFICATIONS

- White Polymarble basin
- 1 tap hole standard
- High gloss white polyurethane cabinet
- Sizes 400mm
- Available kick, wall hung
- Soft closing doors
- E0 HMR & E1 MDF Board
- FSC Certified
- Requires 32mm waste + overflow

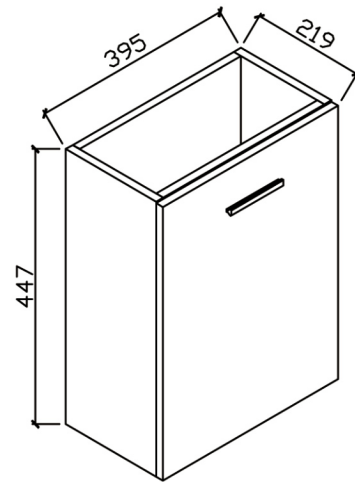
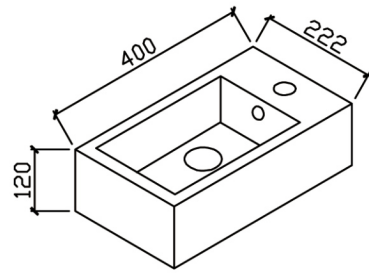
WARRANTY

Polymarble basin - 2 year replacement parts or complete product, 1 year labour

Cabinet - 2 year replacement parts or complete product, 1 year labour

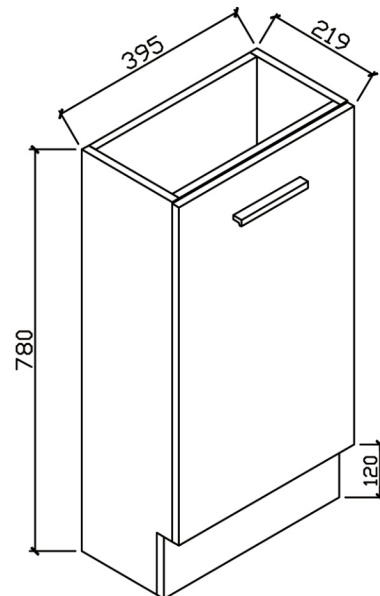
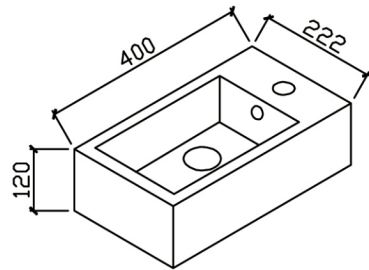
Available from





Product Code	Description
HAV400WH	400mm Wall Hung

400mm(L)x222mm(W)x567mm(H)



Product Code	Description
HAV400SK	400mm kick

400mm(L)x222mm(W)x900mm(H)