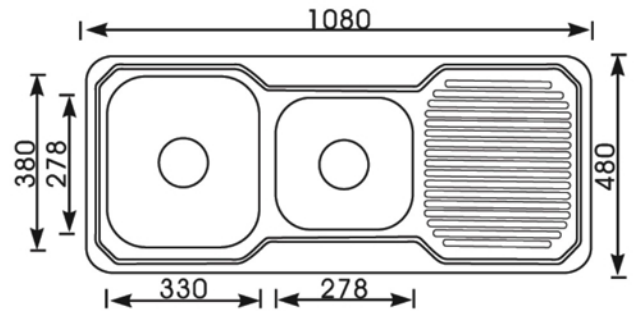


# S1080

KITCHEN SINK



| Item Code | Description                            |
|-----------|--|
| S1080L    | 1 1/2 bowl, Single drain sink LH bowl. |
| S1080R    | 1 1/2 bowl, Single drain sink RH bowl. |

| Specifications                          |
|---|
| • Available in left and right bowl      |
| • 304 grade stainless steel             |
| • 0.8mm thickness                       |
| • Includes waste & fixing clips         |
| • 5 years replacement product and parts |